

### Features

- Elongated, open-front toilet seat.
- Antimicrobial agent inhibits growth of odor-causing bacteria, mold, and mildew. This product does not protect users against bacteria, viruses, or other disease organisms. Always clean and wash this product thoroughly before and after each use.
- Self-sustaining check hinge prevents slamming with check hinge functionality.

### Material

- Made of solid polypropylene and is resistant to staining, fading, chipping and peeling.



### Codes/Standards

IAPMO/ANSI Z124.5


### KOHLER® One-Year Limited Warranty

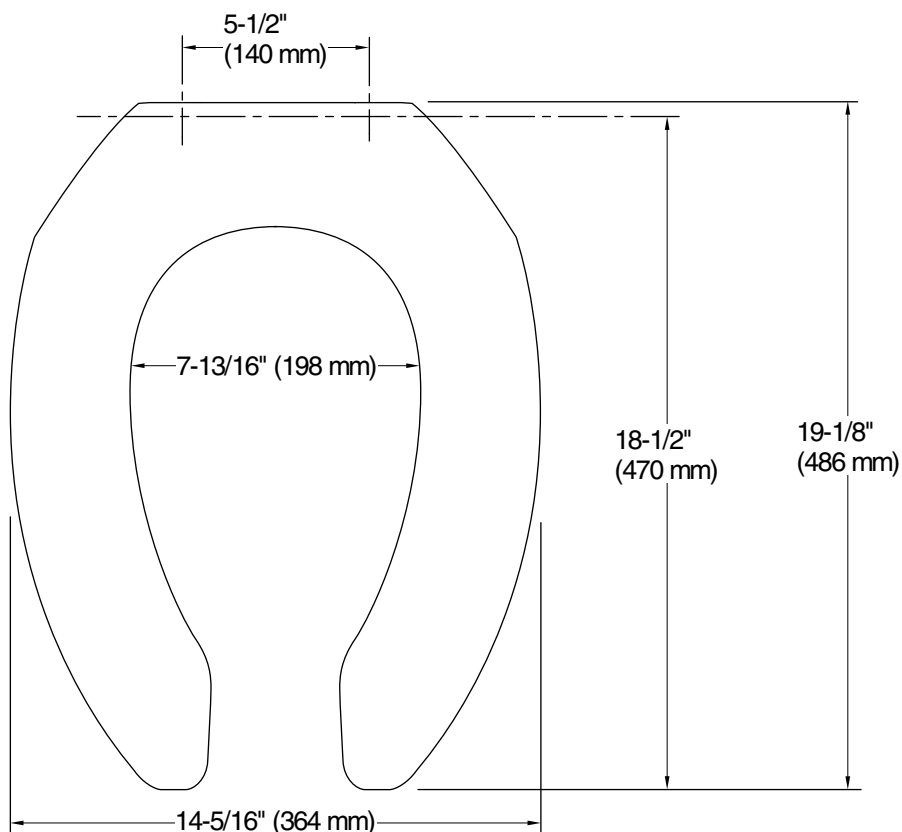
See website for detailed warranty information.

### Available Colors/Finishes

*Color tiles intended for reference only.*

Color	Code	Description
-------	------	-------------

	0	White
---	---	-------



### Technical Information

All product dimensions are nominal.

Seat shape type: Elongated  
Seat front type: Open-front  
Seat hinge type: Check, Self-sustaining  
Seat-mounting holes: 5-1/2" (140 mm)

### Notes

Install this product according to the installation guide.